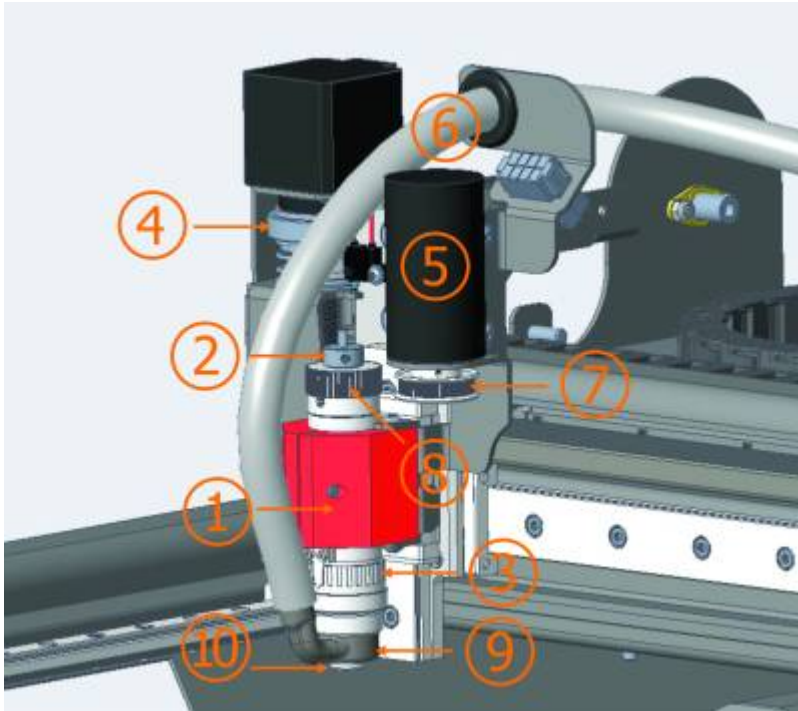


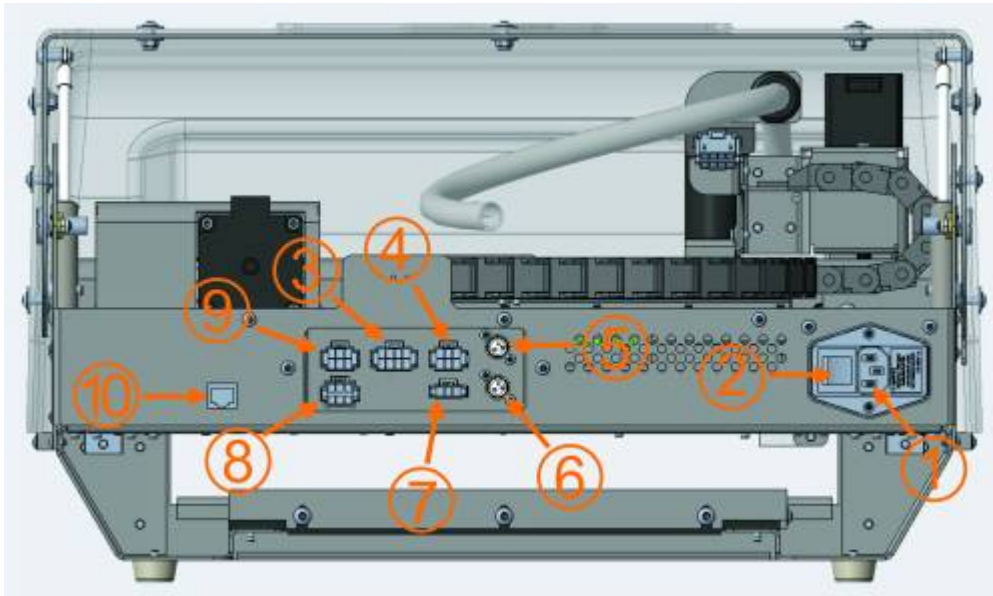
Benaming van onderdelen en functies

Voorraanzicht



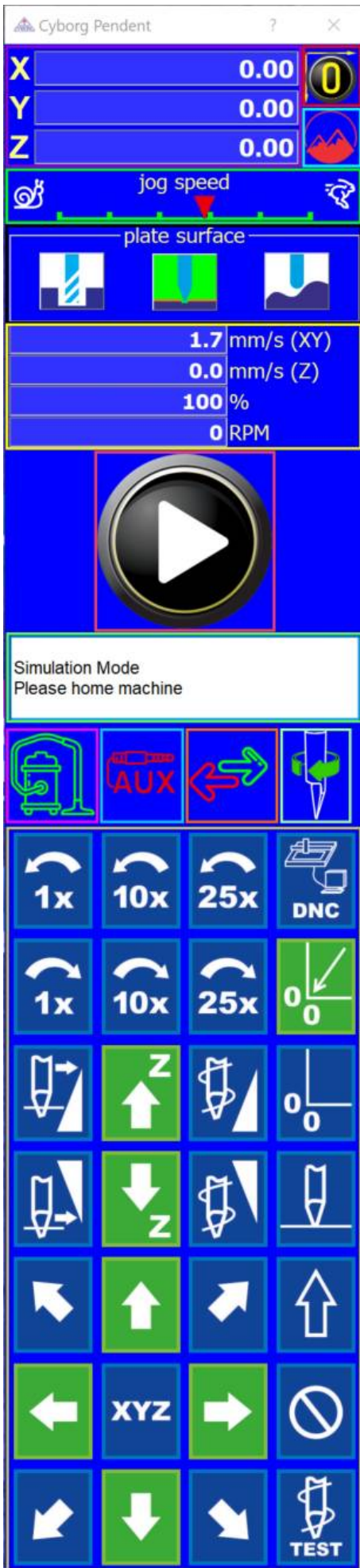
| | |
|----|----------------------------------|
| 1 | spindel |
| 2 | spanknop |
| 3 | gegradueerde diepte regelring |
| 4 | regelring voor veerdruk |
| 5 | spindel motor |
| 6 | afzuigslang |
| 7 | motor riemschijf |
| 8 | spindel riemschijf |
| 9 | stofafzuigvoet |
| 10 | neusconus voor dieptebe grenzing |

Rear view



| | |
|----|-------------------------------------|
| 1 | power supply socket |
| 2 | On/off switch (main switch) |
| 3 | socket for engraving motor control |
| 4 | socket for rotary device (optional) |
| 5 | socket for mister control (aux 2) |
| 6 | socket for vacuum control (aux 1) |
| 7 | socket for Z-axis proximity switch |
| 8 | socket for Y-axis motor |
| 9 | socket for Z-axis motor |
| 10 | ethernet socket |

Virtual pendent



coordinates of the actual spindle position

actual home position

mapped surface active or not active

jog speed scale

plate surface mode

job speed information

start - pause - resume

status bar and comments field

vacuum cleaner on/off

auxiliary on/off

unidirectional or bidirectional engraving

rotary engraving or diamond scratching

motion control keys

Continue to [X-300 installation environment](#).
Continue to [the table of contents](#).

From:

<https://manuals.cyborg-engravers.com/> - **cyborg-engravers**

Permanent link:

<https://manuals.cyborg-engravers.com/doku.php?id=nl:x300:components&rev=1669717267>

Last update: **2022/11/29 11:21**

