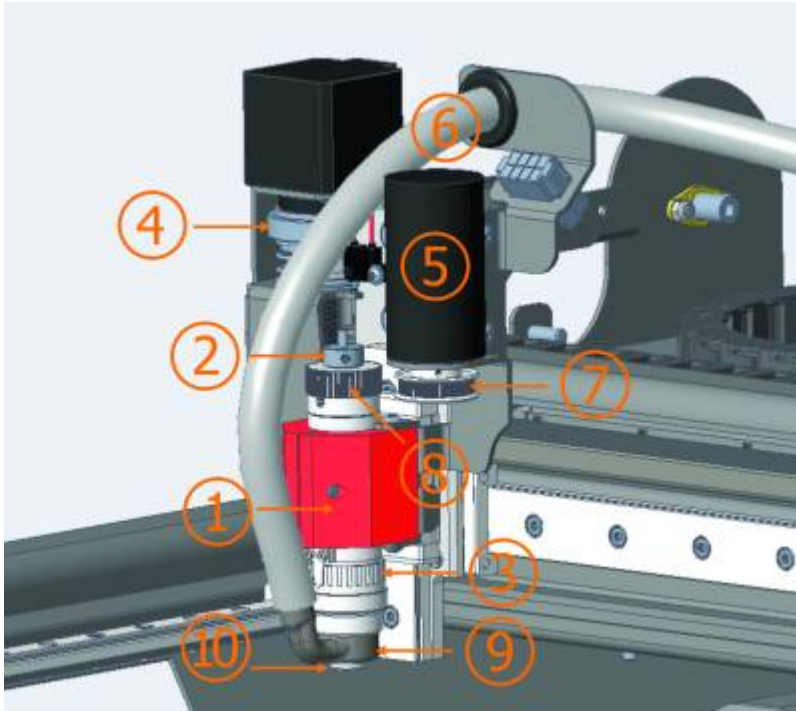


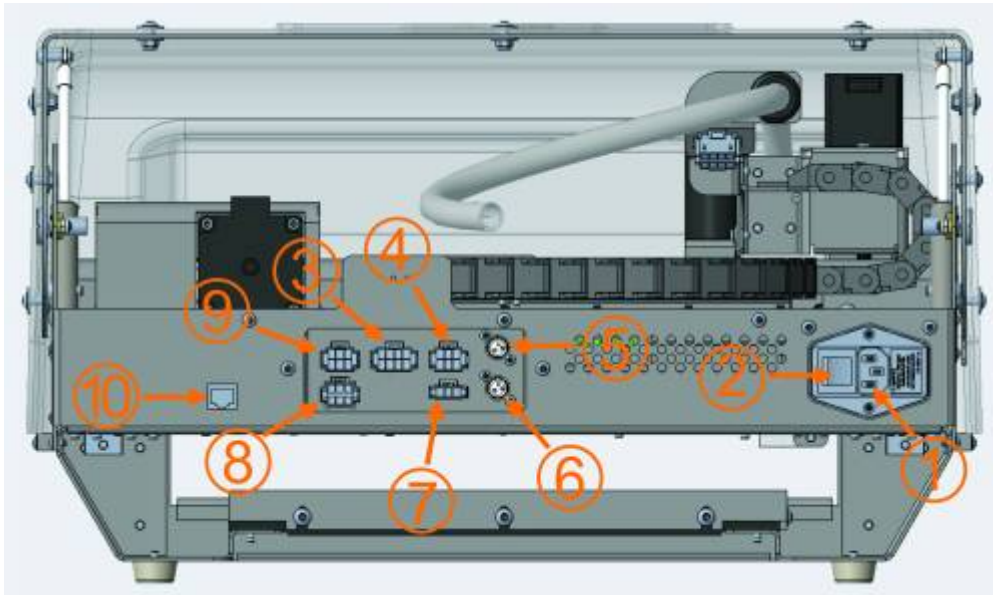
Component names and functions

Front view



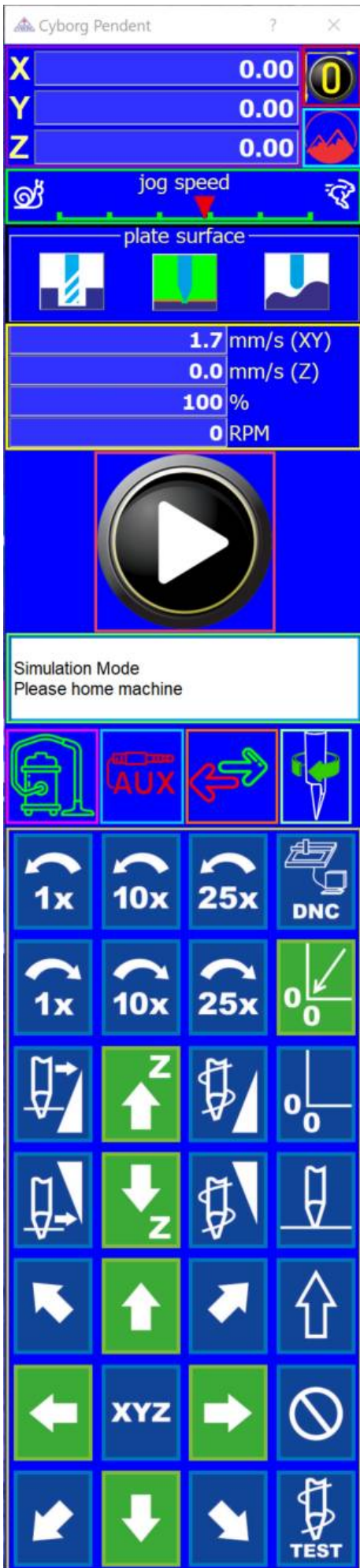
1	spindle
2	cutter knob
3	graduated depth regulating ring
4	spring pressure regulating ring
5	spindle motor
6	dust hose
7	motor pulley
8	spindle pulley
9	vacuum boot
10	depth limiting nosecone

Rear view



1	power supply socket
2	On/off switch (main switch)
3	socket for engraving motor control
4	socket for rotary device (optional)
5	socket for mister control (aux 2)
6	socket for vacuum control (aux 1)
7	socket for Z-axis proximity switch
8	socket for Y-axis motor
9	socket for Z-axis motor
10	ethernet socket

Virtual pendent



coordinates of the actual spindle position

actual home position

mapped surface active or not active

jog speed scale

plate surface mode

job speed information

start - pause - resume

status bar and comments field

vacuum cleaner on/off

auxiliary on/off

unidirectional or bidirectional engraving

rotary engraving or diamond scratching

motion control keys

Continue to [X-300 installation environment](#).
Continue to [the table of contents](#).

From:

<https://manuals.cyborg-engravers.com/> - **cyborg-engravers**

Permanent link:

<https://manuals.cyborg-engravers.com/doku.php?id=de:x300:components>

Last update: **2023/06/16 09:42**

